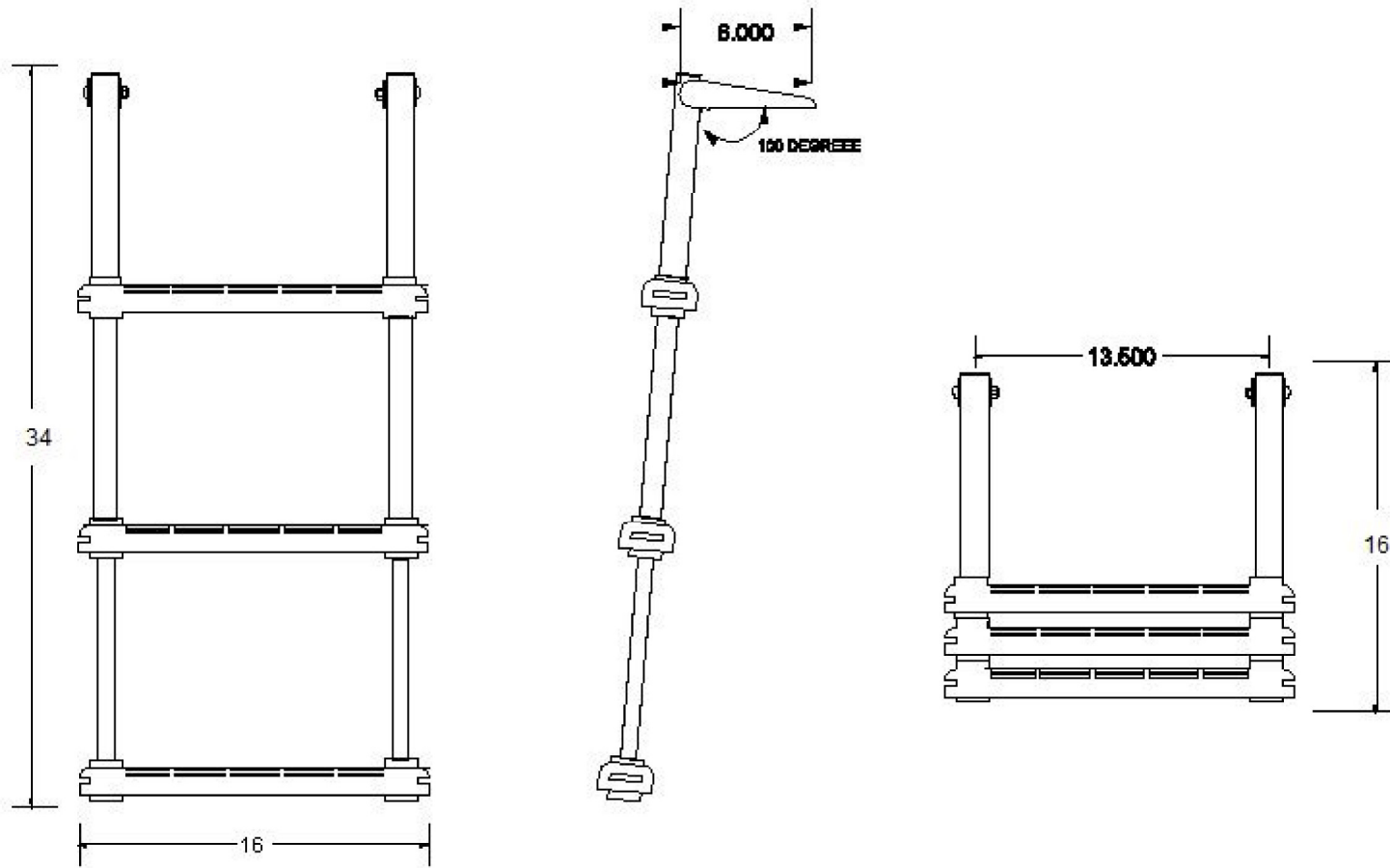


NOTE:



Rev.	Date	Change	By:	All Dimensions in Inches	Tolerance: Hole Size ± 0.05 , Angles ± 1 Degree, All Others ± 0.020
				Scale: 1 : 1	Material:
				 234 W. 146 St. Gardena, 90248 Phone: (310) 516-9812 Fax: (310) 516-9824	Notes: POLISHED STAINLESS AND THERMOPLASTIC
					Date: 7/22/98 By: H.N.
				Part #: TDL-3	Description: 3 STEP DROP LADDER